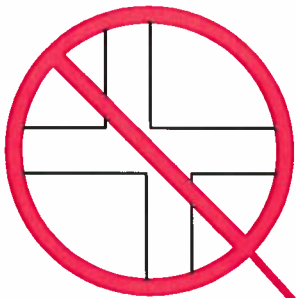


HOUSE

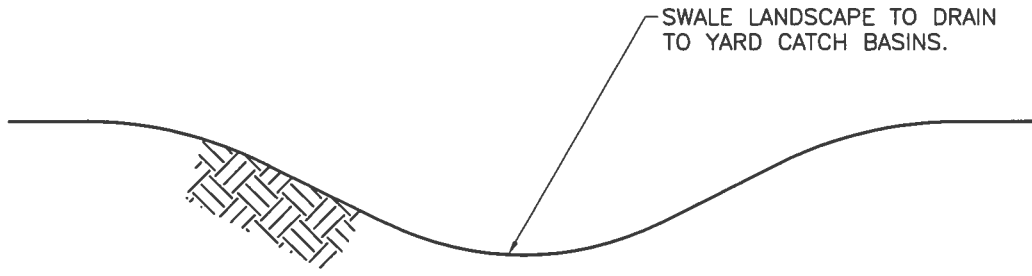


AREAS WITH MULTIPLE PIPE CONNECTIONS MUST JOIN IN A SINGLE STRUCTURE ACCESSIBLE FROM SURFACE.
(TEES NOT PERMITTED)

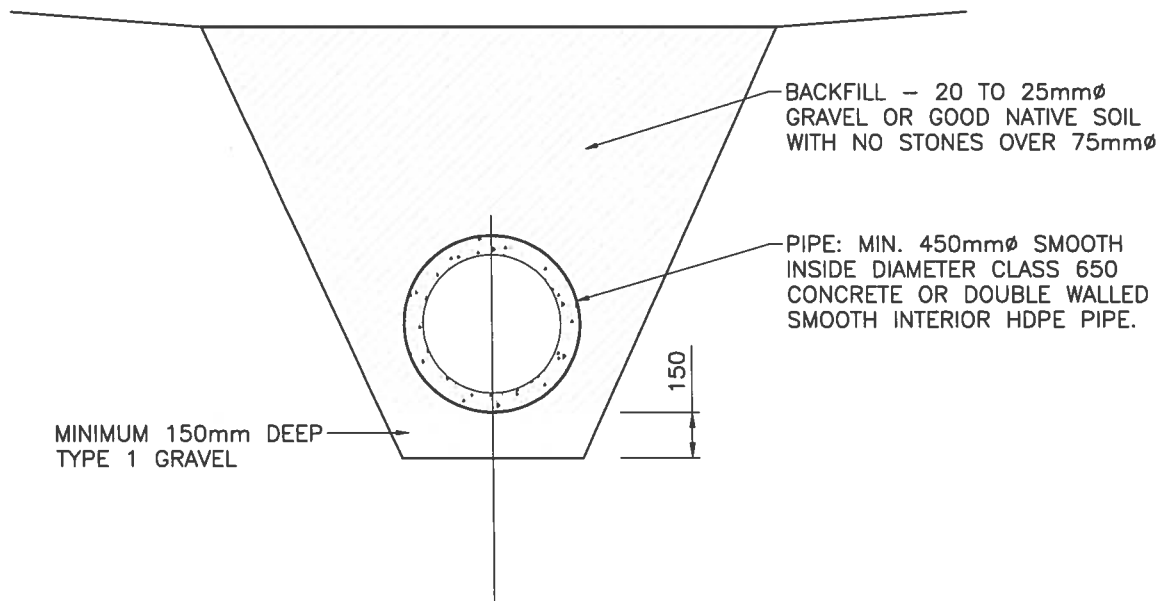


DIRECT ALL YARD FLOW TO YARD CATCH BASIN.

NOTE: MAXIMUM SPACING OF YARD C.B.'s = 30m



SWALE DETAIL



A-A TRENCH DETAIL

EXPOSED ENDS TO BE PROTECTED WITH 400mm DEEP LAYER OF RIP-RAP STONE. PRE-FABRICATED CONCRETE HEADWALL MAY ALSO BE USED. EXTEND RIP-RAP (2x) PIPE DIAMETER PAST END OF PIPE TO REDUCE WEED GROWTH.

PLASTIC OR CAST IRON GRATE. (TREATED WOOD GRATES TO BE APPROVED BY COUNTY.)

SLOPE GRADE TO YARD CATCH BASINS.

SLOPE GRADE TO YARD CATCH BASINS.

CATCH BASIN WITH MIN. 300mm DEEP SUMP.

300 SUMP

JOIN WITH COUPLERS APPROVED FOR USE BY PIPE MANUFACTURER.

RIP-RAP and CATCH BASIN DETAIL

